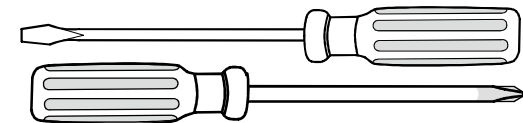
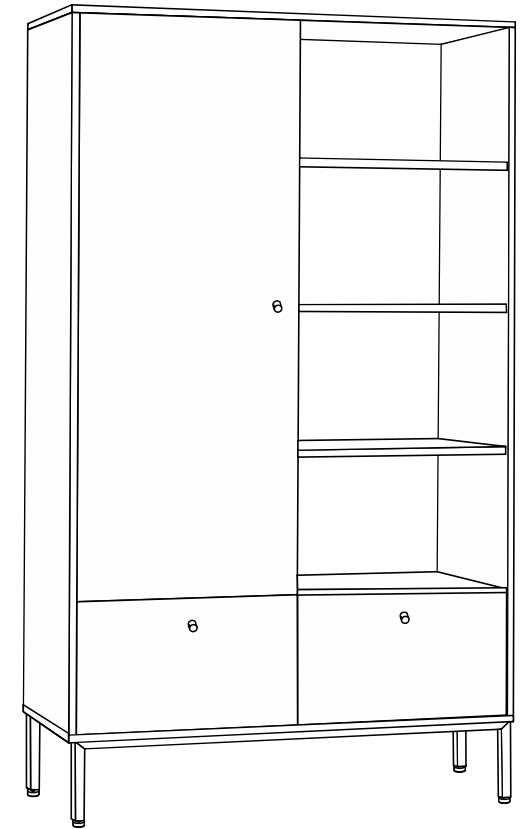
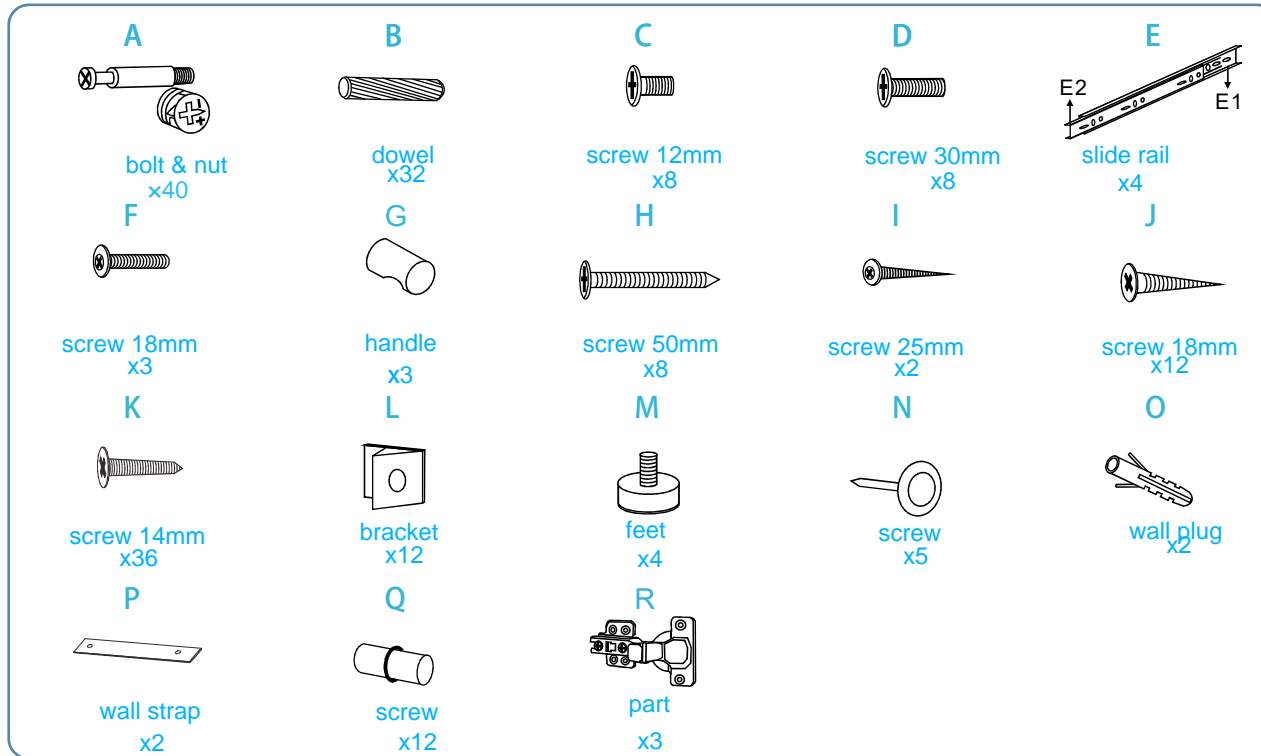


Brixton Bookcase

Thank you for purchasing a Mocka Brixton Bookcase. Please follow the manufacturer's assembly instructions in detail to ensure the safety features of the Bookcase is not compromised.

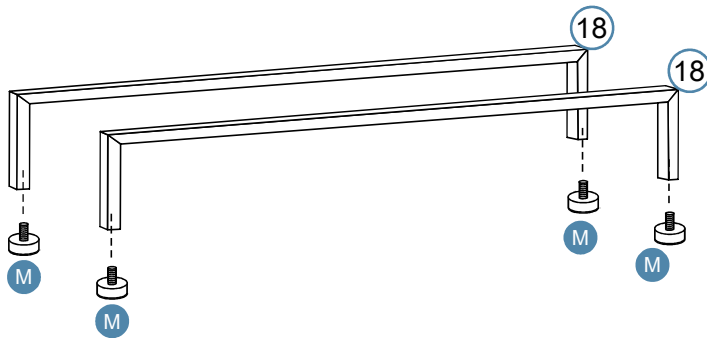


Phillips & Flathead screwdrivers required.

WARNING: This furniture item can become unstable and may topple if climbed upon and can be especially dangerous to children. Serious injury or death may result. It is undesirable to place objects of interest to children in view on this type of furniture item, as children may be tempted to climb to retrieve the objects the result being that the furniture item may tip and cause injury or death. This furniture item meets the requirements of AS/NZS 4935. However, even furniture items that meet these requirements can tip under certain circumstances, especially when placed on carpet, uneven or sloping flooring, or when subject to extreme use. Attachment of the furniture item to an appropriate structural component of the building using suitable means, as advised by a qualified tradesperson, is strongly recommended even for those furniture items meeting the suitability requirements of AS/NZS 4935.

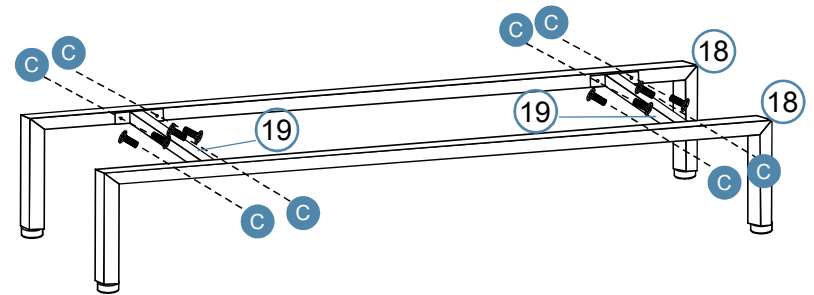
Brixton Bookcase

1



Insert 4 x feet (M) into main frames (18) as shown.

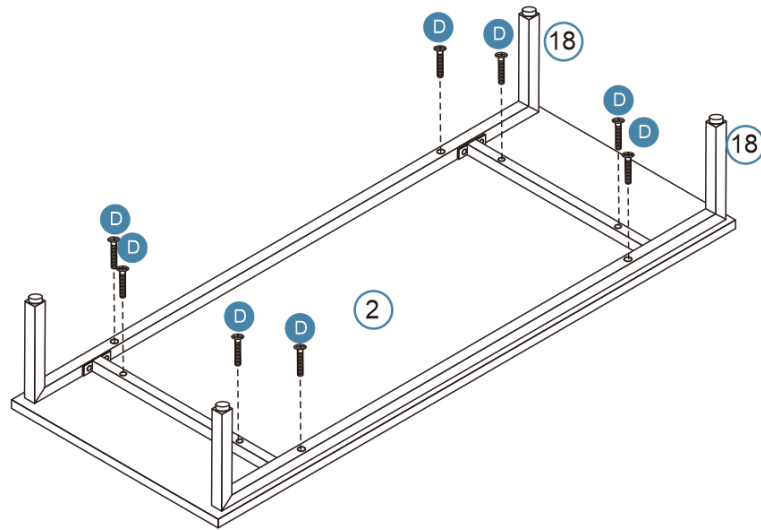
2



Attach frames (19) to main frames (18) with 8 x screws (C).

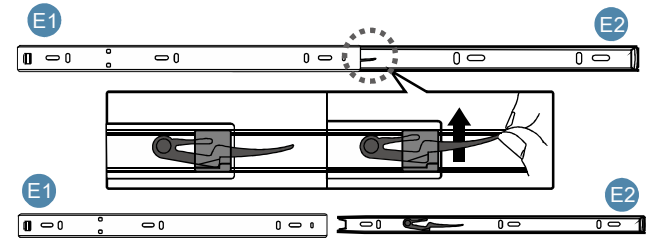
Brixton Bookcase

3



Attach panel (2) to main frames (18) with 8 x screws (D).

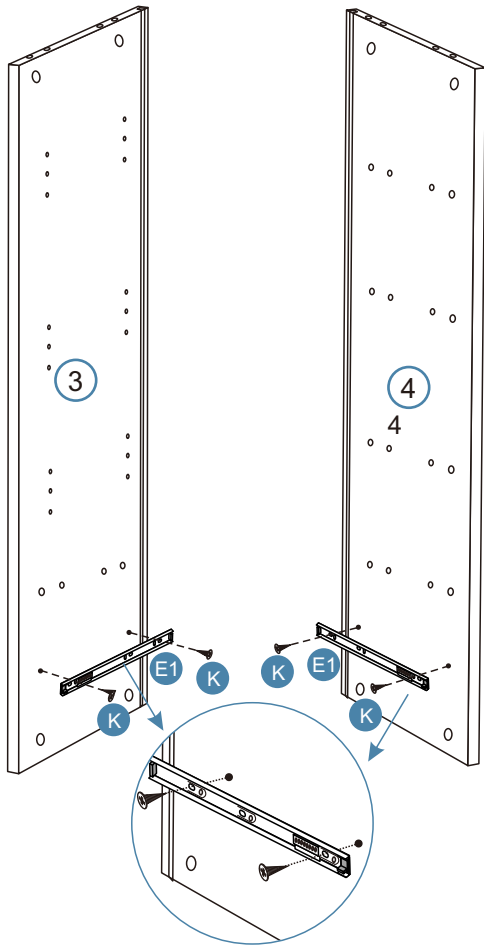
4



Separate parts (E1) and (E2) as shown.

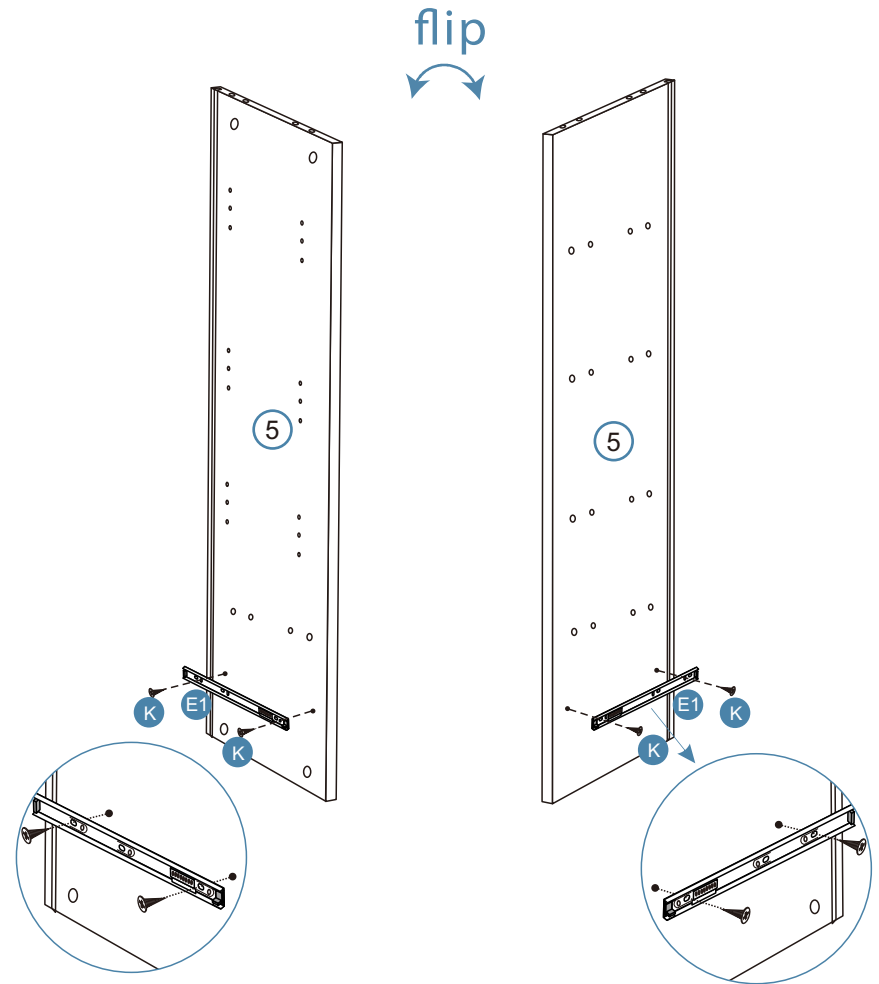
Brixton Bookcase

5



Attach 2 x slide rails (E1) to panels (3) and (4) with 4 x screws (K).

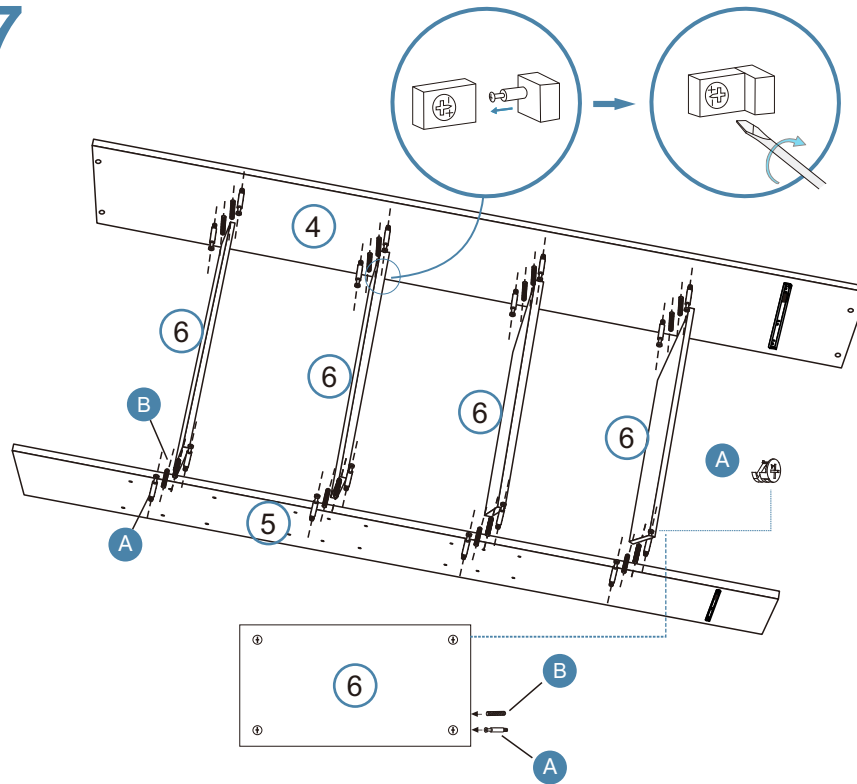
6



Attach 2 x slide rails (E1) to the front and back sides of panel (5) with 4 x screws (K).

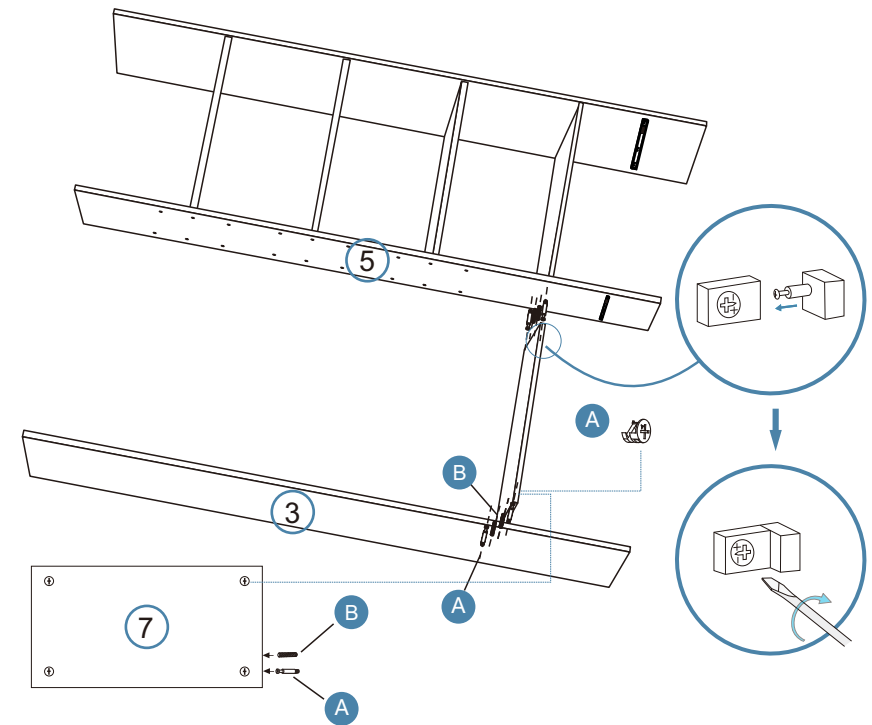
Brixton Bookcase

7



Lay down panels (3), (4) and (5). Attach panels (4) and (5) to panels (6) with 16 x nuts (A), 16 x bolts (A) and 16 x dowels (B).

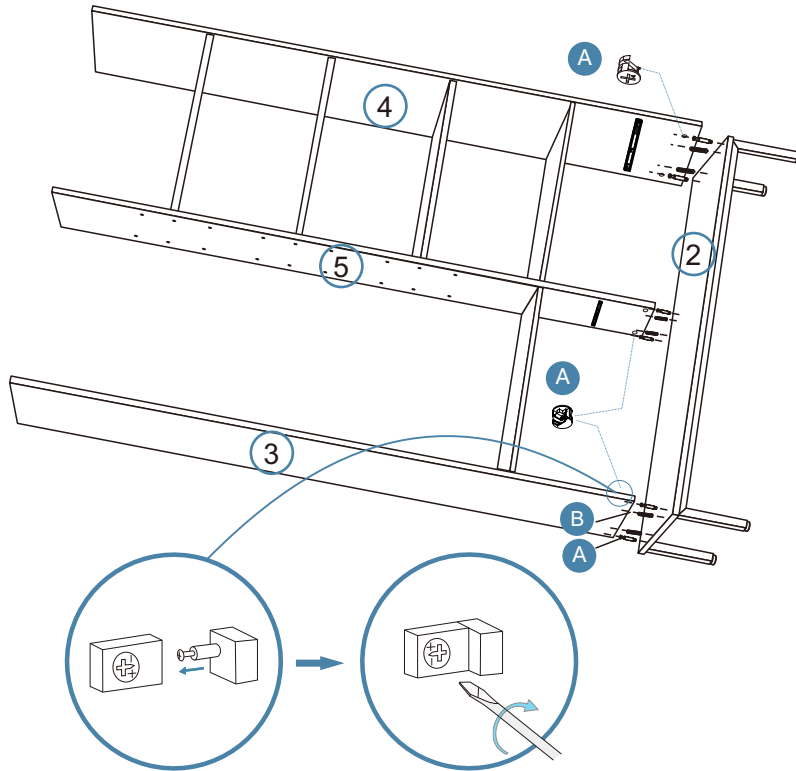
8



Attach panel (7) to panels (3) and (5) with 4 x nuts (A), 4 x bolts (A) and 4 x dowels (B).

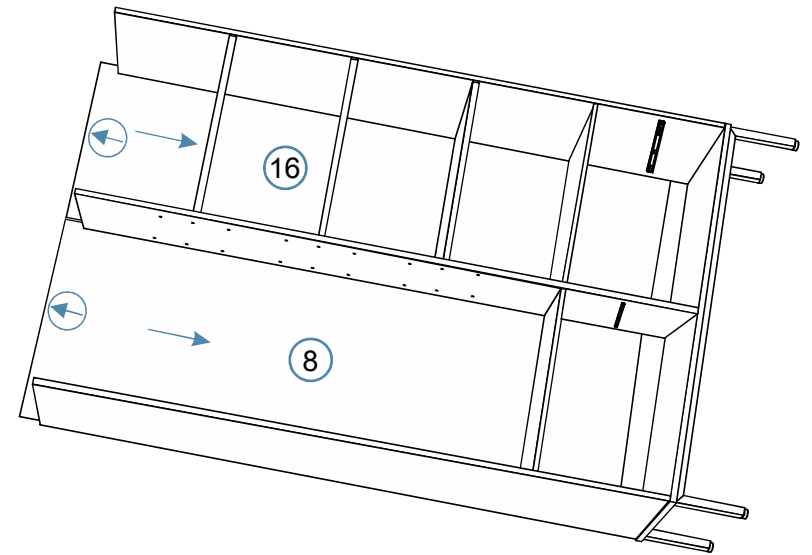
Brixton Bookcase

9



Attach panel (2) to panels (3), (4) and (5) with 6 x nuts (A), 6 x bolts (A) and 6 x dowels (B).

10

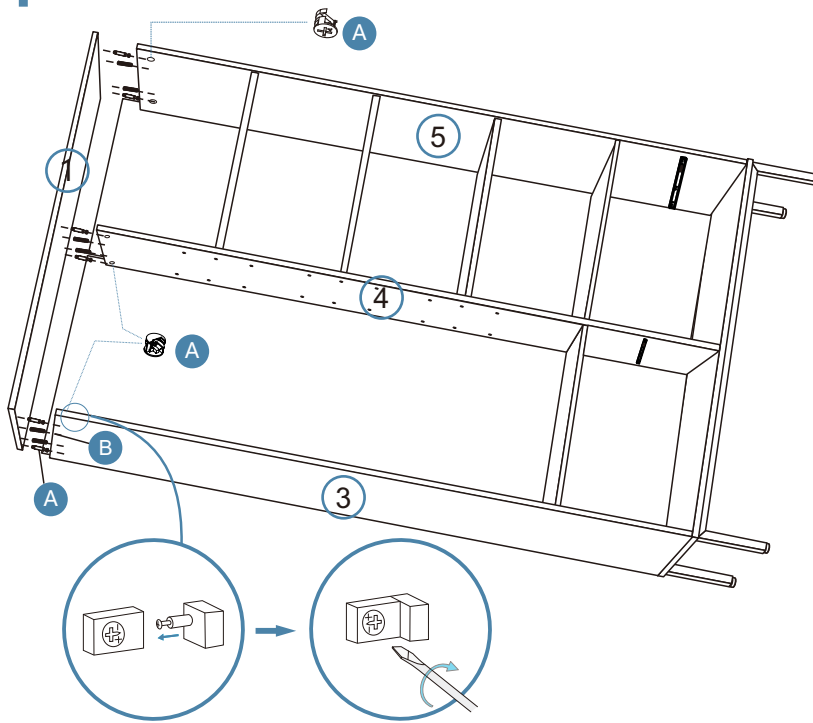


Slide panels (8) and (16) into position as shown.

Brixton

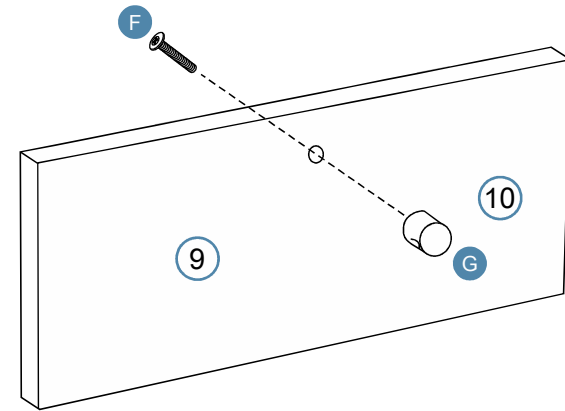
Bookcase

11



Attach panel (1) to panels (3), (4) and (5) with 6 x nuts (A), 6 x bolts (A) and 6 x dowels (B).

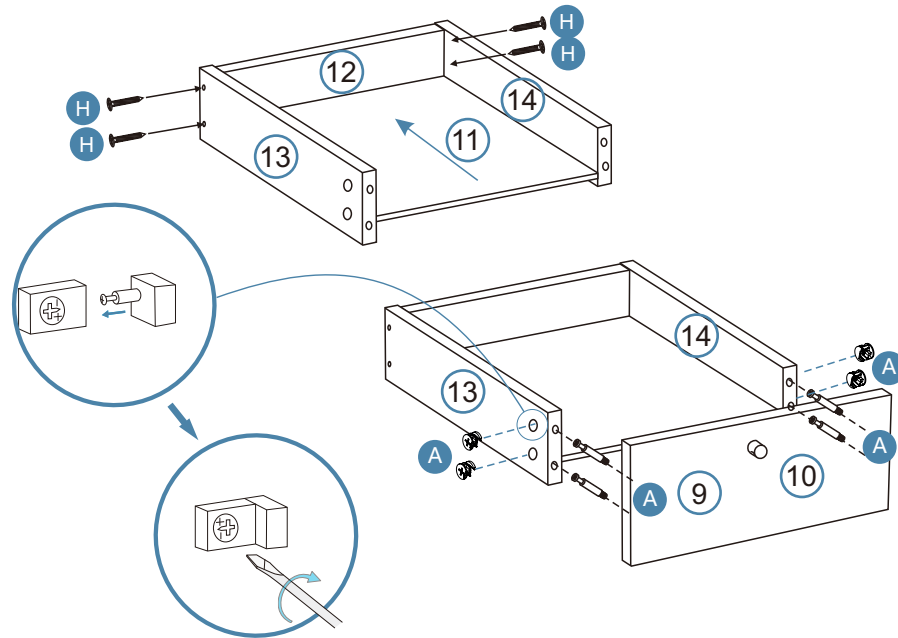
12



Insert parts (F) and (G) into panels (9) and (10) as shown.

Brixton Bookcase

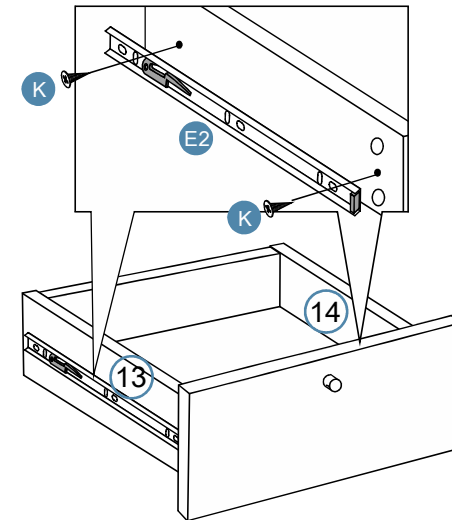
13



- ① Attach panel (12) to panels (13) and (14) with 4 x screws (H).
- ② Slide panel (11) into position as shown.
- ③ Attach panels (9) and (10) to panels (13) and (14) with 4 x nuts (A) and 4 x bolts (A) .

mocka.co.nz | mocka.com.au

14



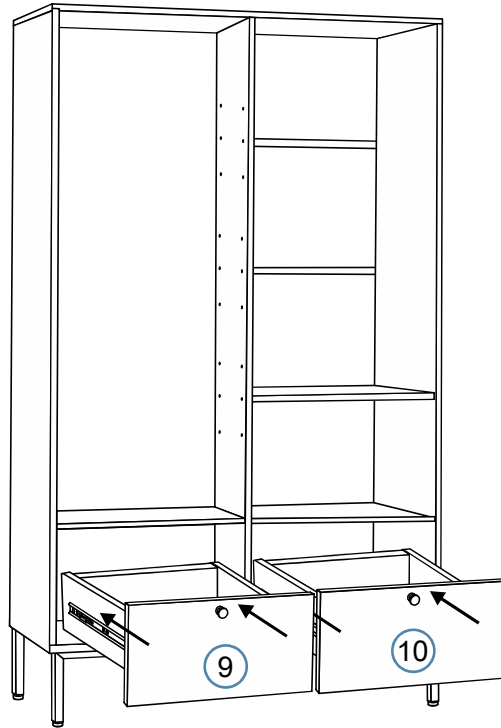
Attach parts (E2) to panels (13) and (14) with 4 x screws (K).

Mocka.

Brixton

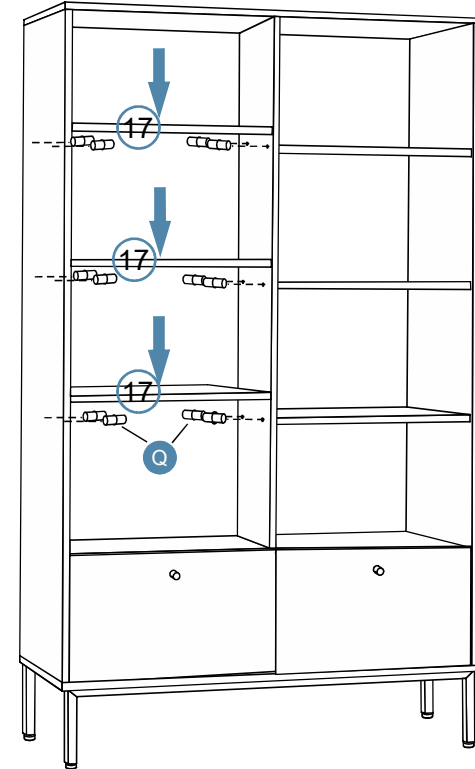
Bookcase

15



Insert drawers into the cabinet as shown.

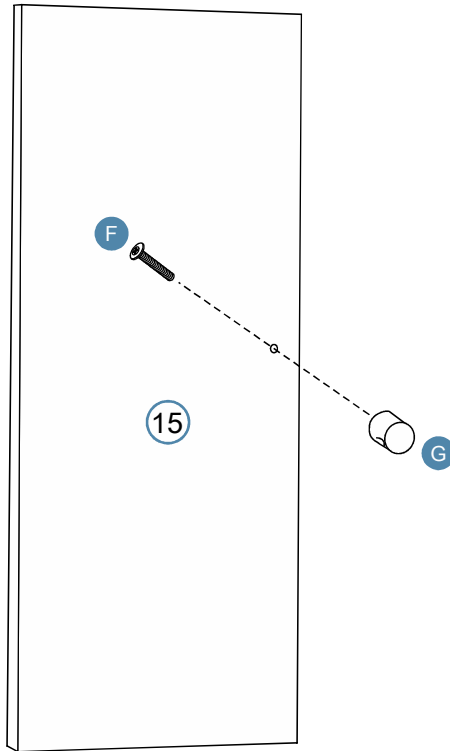
16



Insert 12 x screws (Q) into the cabinet, then attach panels (17) into the cabinet as shown.

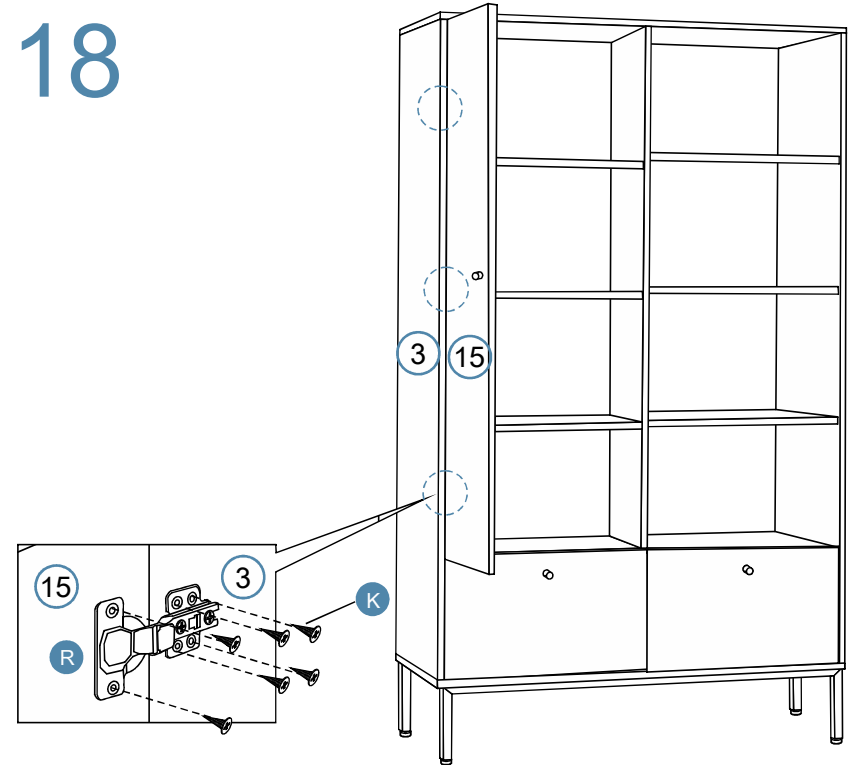
Brixton Bookcase

17



Insert parts (F) and (G) into panel (15).

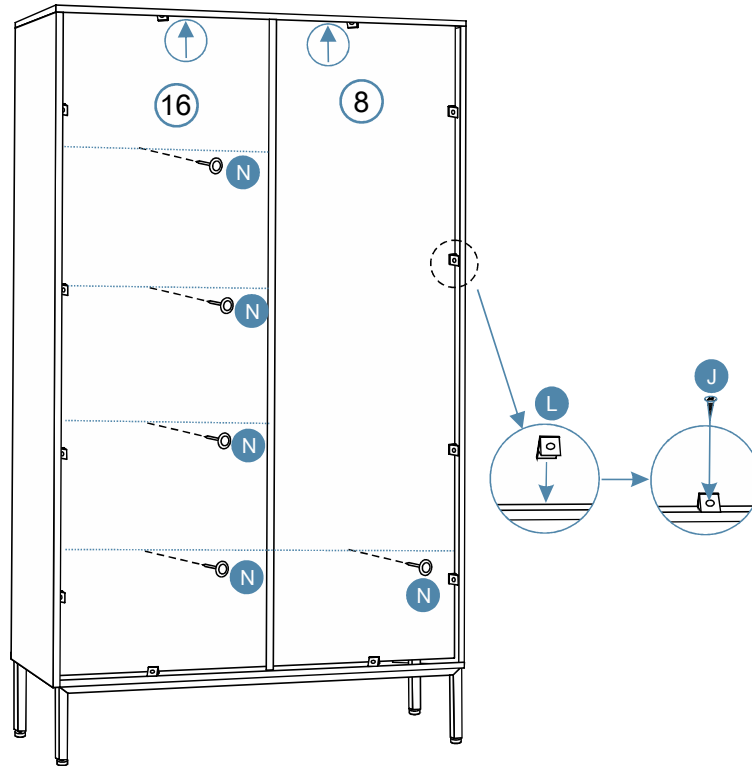
18



Attach parts (R) to panels (15) and (3) with 6 x screws (K) as shown.

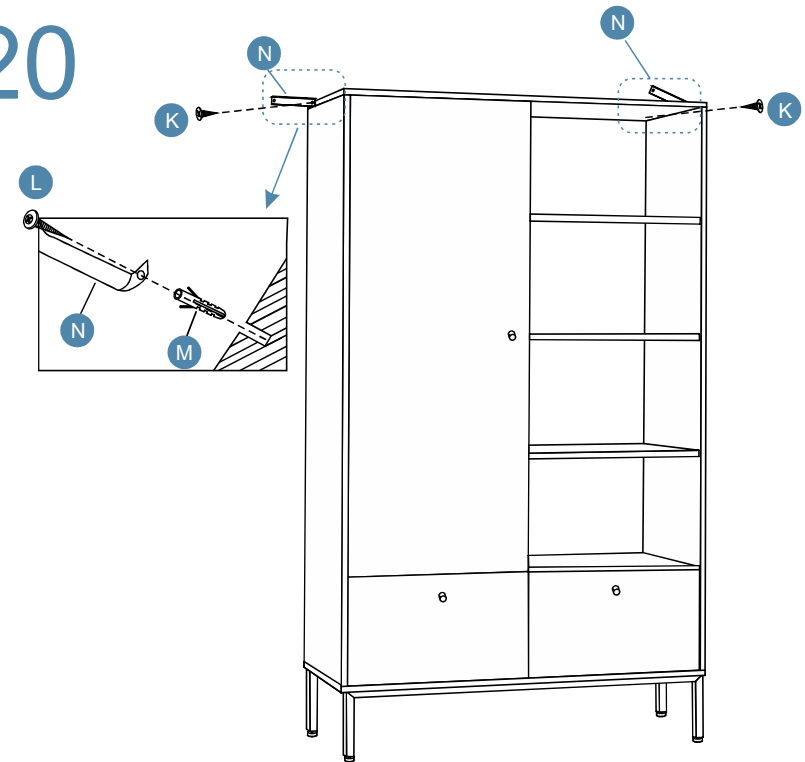
Brixton Bookcase

19



Insert 5 × screws (N), 12 × screws (L) and 12 × screws (J) into panels (16) and (8) as shown.

20

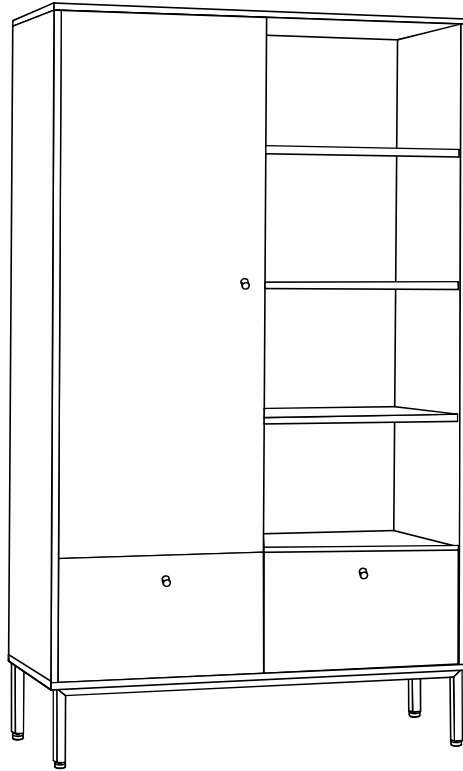


Once assembled lift furniture into place, do not drag. Use a drill to create a small hole lining up with the top of the 2 × safety strap (N). Fasten to the wall using 2 × wall anchors (M), 2 × screws (L) and 2 × screws (K). Ensure unit is balanced and steady before use.

Brixton

Bookcase

21



You`re done, enjoy!